

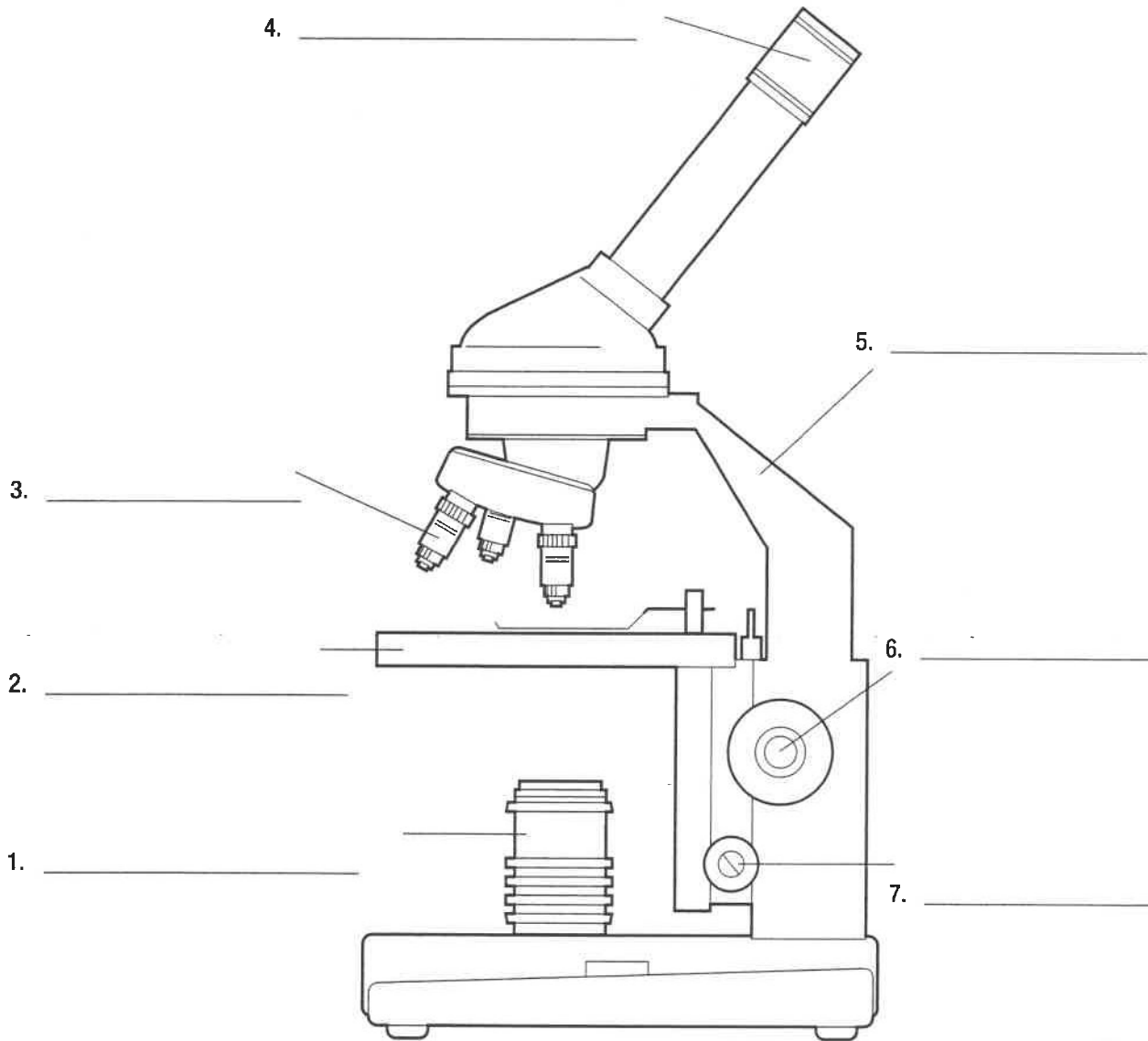
Name _____

Date _____

Use with textbook page 12.

The compound light microscope

Identify the following parts of a compound light microscope.



Use with textbook pages 11-14.

Microscopes

Vocabulary

coarse focus knob	magnification power
compound light microscope	objective lenses
electron micrograph	resolving power
eyepiece	reversed
fine focus knob	right side up
light source	upside down

Use the terms in the vocabulary box to fill in the blanks. Use each term only once. You will not need to use all the terms.

- The _____ is the microscope usually used in science classes and medical laboratories.
- The _____ lens is used for viewing and contains a lens that magnifies.
- The _____ brings an object into focus at low or medium power.
- The _____ brings an object into focus at high power.
- The _____ have different magnification power to magnify the object.
- The _____ supplies the light needed to view the slide.
- The ability to distinguish between objects that are very close together is called _____.
- When you look through a microscope, you will observe an image that is magnified, _____, and _____.
- A(n) _____ is a picture taken by a camera hooked up to an electron microscope.

Each part of the compound light microscope is listed in the left column of the table below. In the right column, describe the function of each microscope part.

Microscope part	Function
Eyeiece	
Arm	
Revolving nosepiece	
Objective lenses	
Fine focus knob	
Coarse focus knob	
Stage	
Base	
Light source	