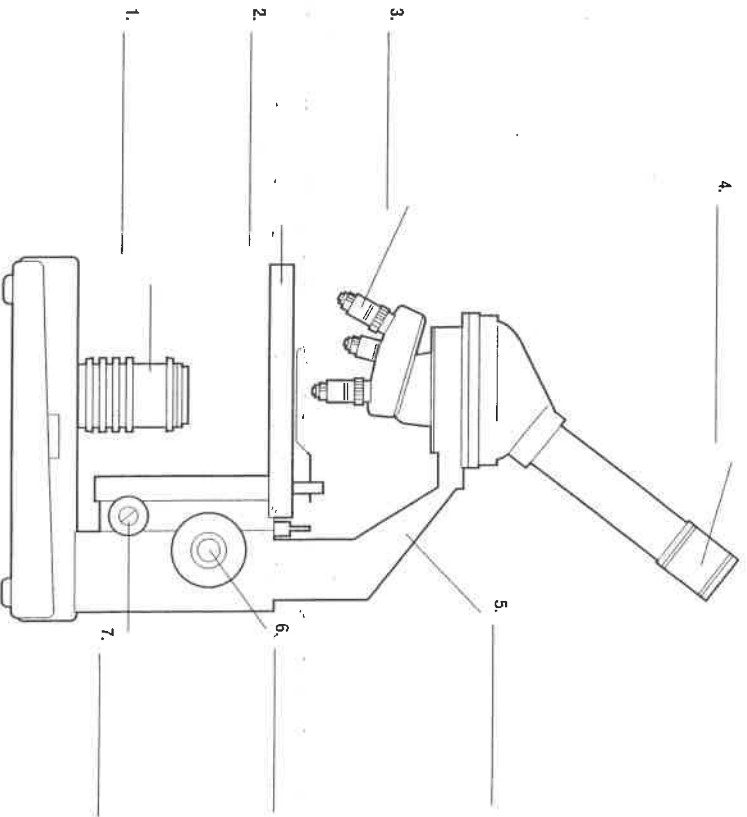


Use with textbook page 12.

The compound light microscope

Identify the following parts of a compound light microscope.



Use with textbook pages 11-14.

Microscopes

Vocabulary

 coarse focus knob
 compound light microscope
 electron micrograph
 eyepiece
 fine focus knob
 light source

 magnification power
 objective lenses
 resolving power
 reversed
 right side up
 upside down

Use the terms in the vocabulary box to fill in the blanks. Use each term only once.
 You will not need to use all the terms.

- The _____ is the microscope usually used in science classes and medical laboratories.
- The _____ is used for viewing and contains a lens that magnifies.
- The _____ brings an object into focus at low or medium power.
- The _____ brings an object into focus at high power.
- The _____ have different magnification power to magnify the object.
- The _____ supplies the light needed to view the slide.
- The ability to distinguish between objects that are very close together is called _____.
- When you look through a microscope, you will observe an image that is magnified, _____, and _____.
- An() _____ is a picture taken by a camera hooked up to an electron microscope.

CHAPTER 1

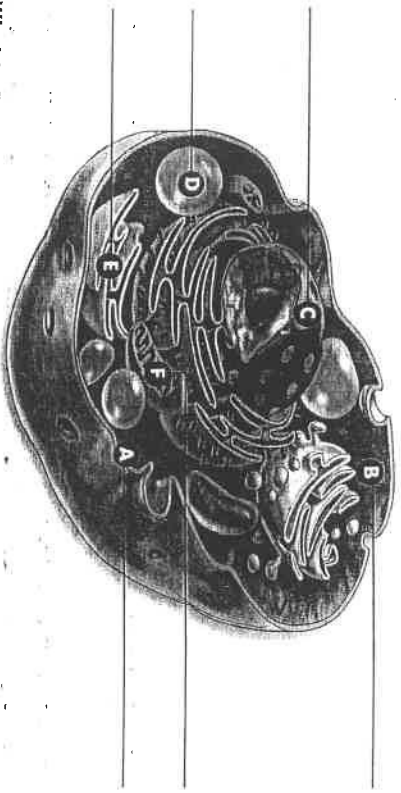
Parts of an Animal Cell

BLM 1-18

Goal • Use this page to review the vocabulary of animal cells by labelling a diagram.

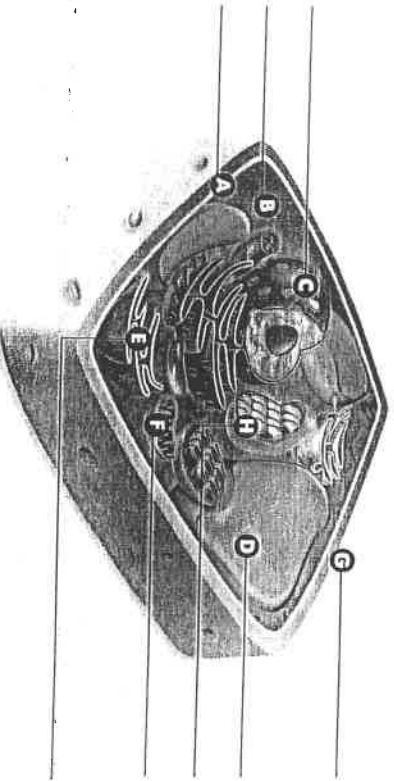
What to Do

Below is a diagram of an animal cell. Label the parts of the cell indicated by each letter. For assistance, turn to page 27 in *BC Science 8*.



What to Do

Below is a diagram of a plant cell. Label the parts of the cell indicated by each letter. For assistance, turn to page 27 in *BC Science 8*.



CHAPTER 1

Three Examples of Osmosis

BLM 1-19

	A	B
Example 1		
Example 2		
Example 3		